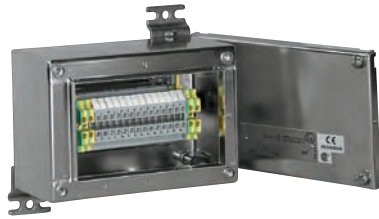




FRP Enclosure
Size 08



Stainless Steel Enclosure
Size 06



Stainless Steel Enclosure
Size 09

Class I, Div. 2, Groups A,B,C,D
Class I, Zones 1 & 2, Groups IIC, IIB, IIA
Class II, Div. 1 & 2, Groups E,F,G^①
Class III
NEMA 3, 4, 4X
(A) Ex e II T6 IP66*



Requires factory assembly

* Dependent on cable entry connector types

TECHNE-TERM

FEATURES-SPECIFICATIONS

Applications

- Hazardous and corrosive environments such as refineries, chemical plants, water treatment and bio gas plants, and wherever a combustible gas-air mixture or combustible dust may occur
- Used to link electrical wires. Primary circuit brought into the enclosure is distributed to field control devices or sensors

Features

- Pre-configured enclosures with DIN rail mounted terminals installed eliminates time consuming engineering and sourcing
- Enclosures are available in Fiber-glass Reinforced Polyester or 316 electro-polished Stainless Steel
- Weidmuller or Phoenix increased safety 600 volt rated DIN rail line-up terminals
- Factory installed conduit openings, cable glands, flange (bonding) plates and hinges are available upon request.

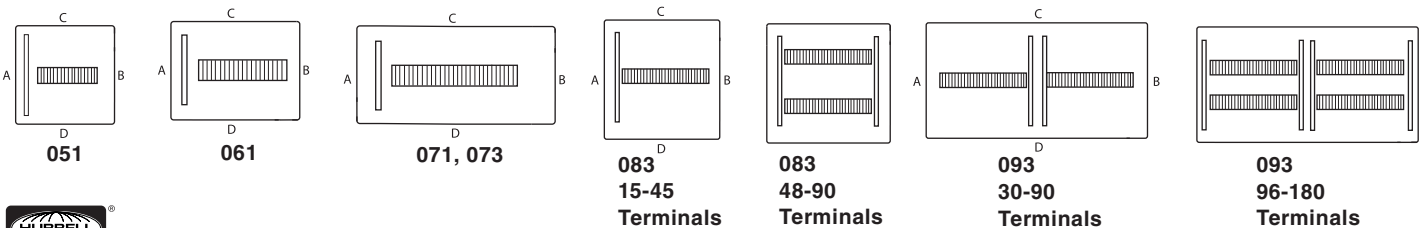
Dimensions

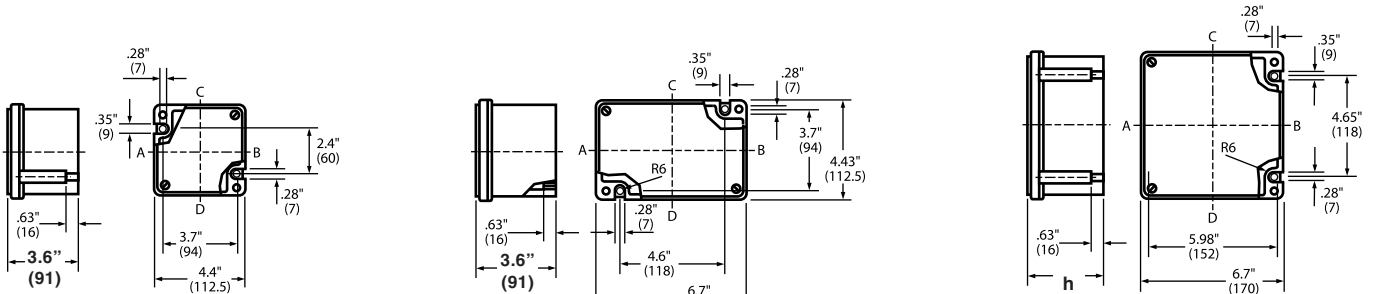
See page E5 for FRP and page E6 for steel enclosures.

TEF/TEB ENCLOSURES WITH WEIDMÜLLER TERMINALS					
TERMINAL QTY.	WIRE RANGE AWG	TERMINAL SIZE MM2	GROUND WIRE CONNECTIONS	CATALOG NUMBER POWER AND CONTROL CIRCUITS	
				FRP	STAINLESS STEEL
18	22-12	2.5	14	TEF051DW12018	TEB051DW12018
15	22-10	4	14	TEF051DW10015	TEB051DW10015
9	20-8	10	12	TEF051DW08009	TEB051DW08009
24	22-12	2.5	14	TEF061DW12024	TEB061DW12024
21	22-10	4	14	TEF061DW10021	TEB061DW10021
12	20-8	10	12	TEF061DW08012	TEB061DW08012
45	22-12	2.5	14	TEF071DW12045	TEB071DW12045
36	22-10	4	14	TEF071DW10036	TEB071DW10036
24	20-8	10	12	TEF071DW08024	TEB071DW08024
45	22-12	2.5	14	TEF073DW12045	TEB073DW12045
36	22-10	4	14	TEF073DW10036	TEB073DW10036
24	20-8	10	12	TEF073DW08024	TEB073DW08024
18	14-6	16	12	TEF073DW06018	TEB073DW06018
45	22-12	2.5	36	TEF083DW12045	TEB083DW12045
36	22-10	4	36	TEF083DW10036	TEB083DW10036
24	20-8	10	24	TEF083DW08024	TEB083DW08024
18	14-6	16	24	TEF083DW06018	TEB083DW06018
12	12-2	35	24	TEF083DW02012	TEB083DW02012
90	22-12	2.5	72	TEF083DW12090	TEB083DW12090
72	22-10	4	72	TEF083DW10072	TEB083DW10072
48	20-8	10	48	TEF083DW08048	TEB083DW08048
90	22-12	2.5	72	TEF093DW12090	TEB093DW12090
72	22-10	4	72	TEF093DW10072	TEB093DW10072
48	20-8	10	48	TEF093DW08048	TEB093DW08048
36	14-6	16	48	TEF093DW06036	TEB093DW06036
24	12-2	35	48	TEF093DW02024	TEB093DW02024
180	22-12	2.5	144	TEF093DW12180	TEB093DW12180
144	22-10	4	144	TEF093DW10144	TEB093DW10144
96	20-8	10	96	TEF093DW08096	TEB093DW08096

For Phoenix Type UK Terminals—Change Bold 'W' to 'P'.
© CSA Certified for Class II, Div. 1&2, EFG. UL Listed for Class II, Div. 2, FG.

Terminal Layout

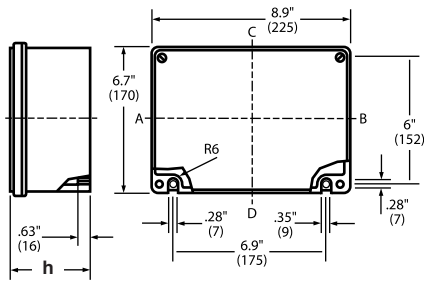




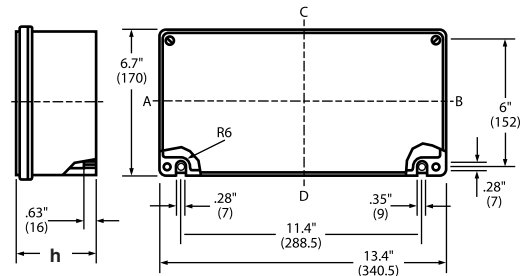
Size 03

Size 04

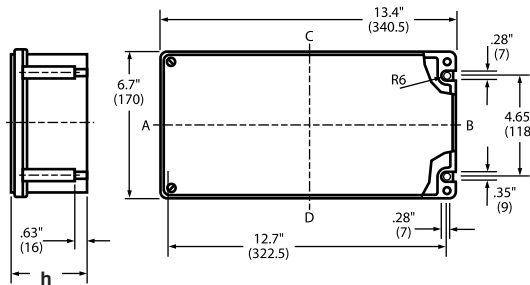
Size 05



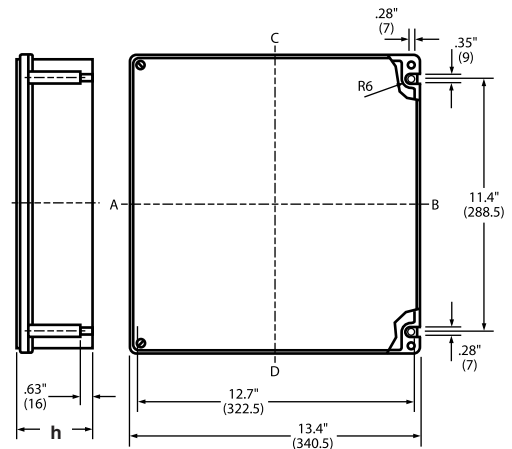
Size 06



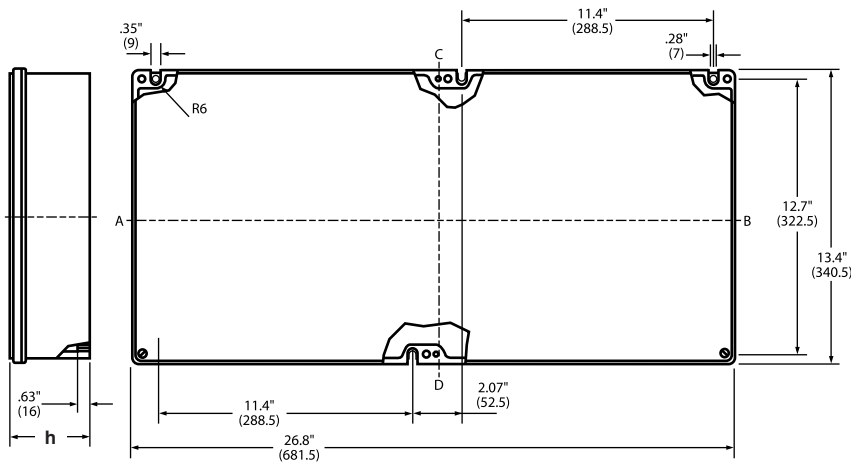
Size 07



Size S7



Size 08

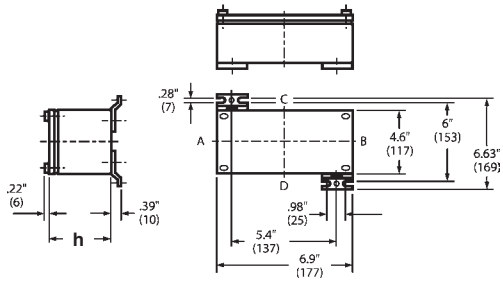


Size 09

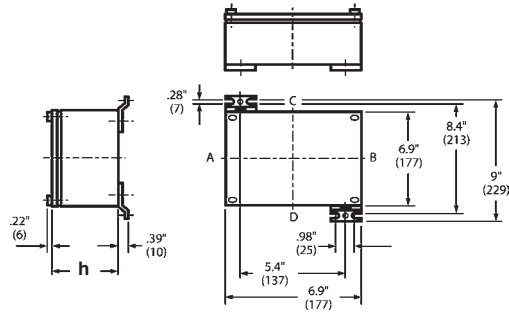
AVAILABLE ENCLOSURE DEPTHS						
DEPTH CODE (h)	1	2*	3	4*	5*	6*
ENCLOSURE SIZE	3.6" (91)	5.2" (131)	5.9" (150)	6.7" (171)	7.5" (190)	9" (230)
03	x	—	—	—	—	—
04	x	—	—	—	—	—
05	x	x	—	—	—	—
06	x	x	—	—	—	—
07	x	x	x	—	x	—
S7	x	—	x	—	—	—
08	x	x	x	x	x	x
09	x	x	x	—	x	—

*Depth increase due to use of deep style cover

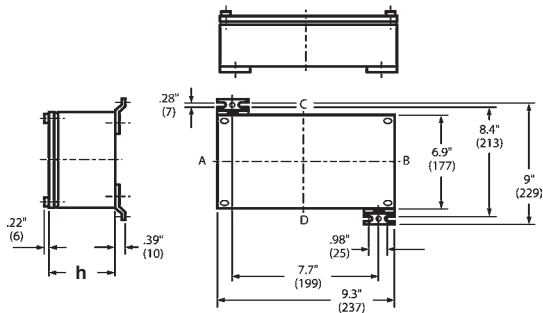




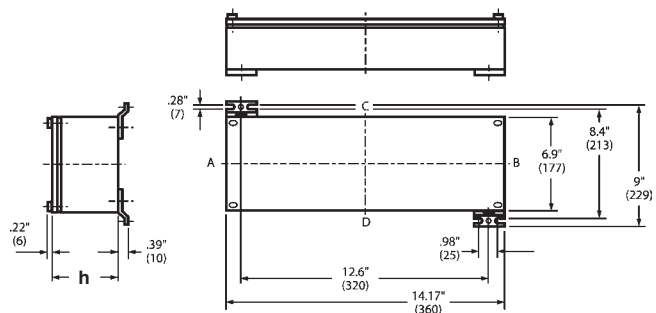
Size 04



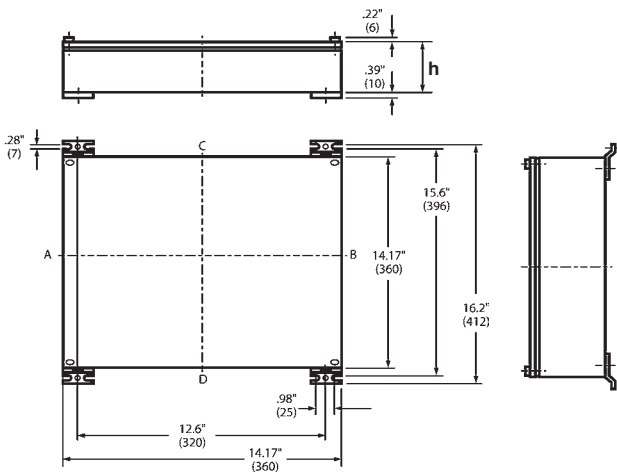
Size 05



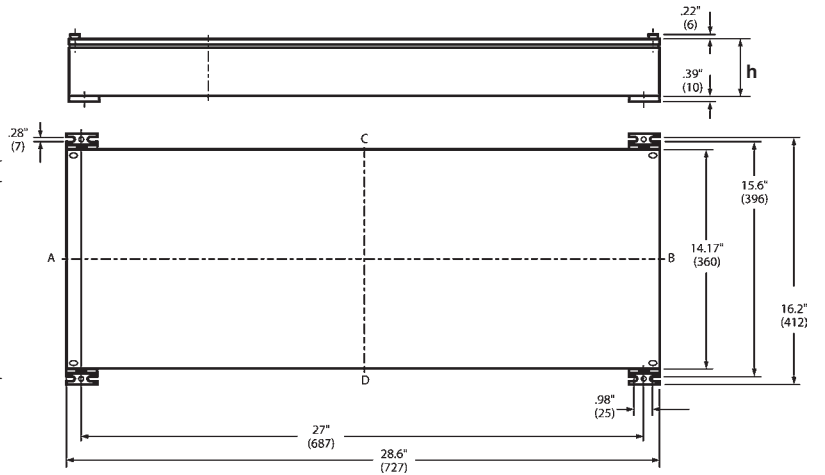
Size 06



Size 07



Size 08



Size 09

AVAILABLE ENCLOSURE DEPTHS				
DEPTH CODE (h)	1	3	5	6
ENCLOSURE SIZE	3.6" (91)	5.9" (150)	7.5" (190)	9" (230)
04	x	—	—	—
05	x	—	—	—
06	x	x	—	—
07	x	x	—	—
08	x	x	x	x
09	x	x	x	—